

REVISI

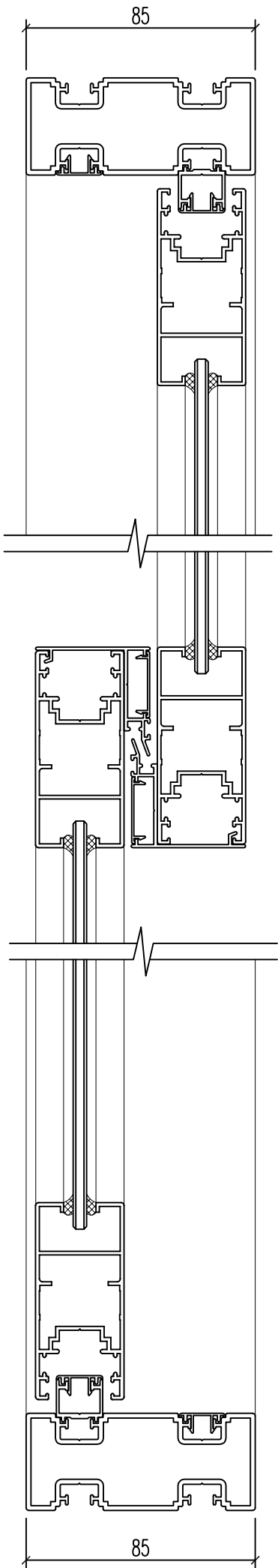
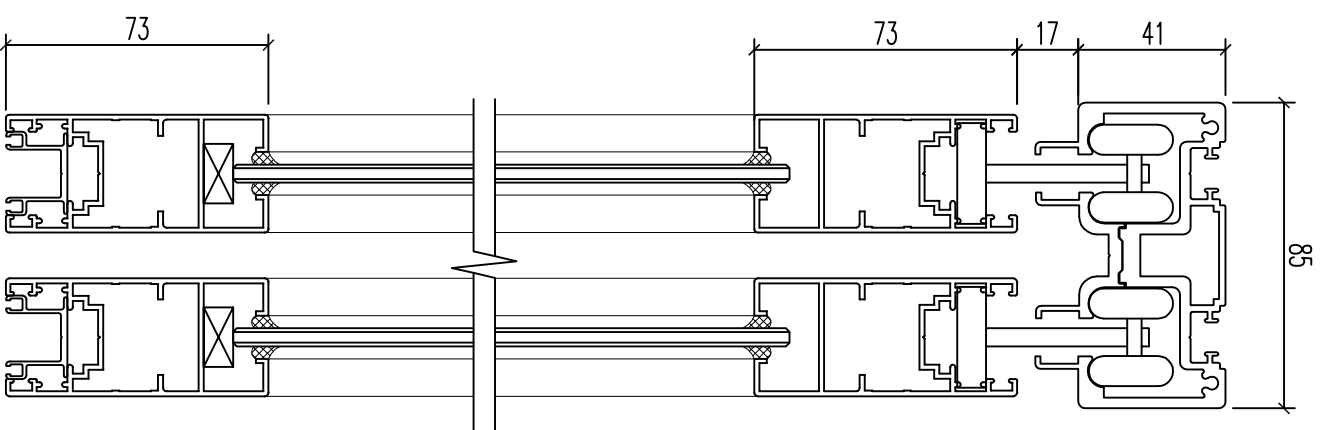
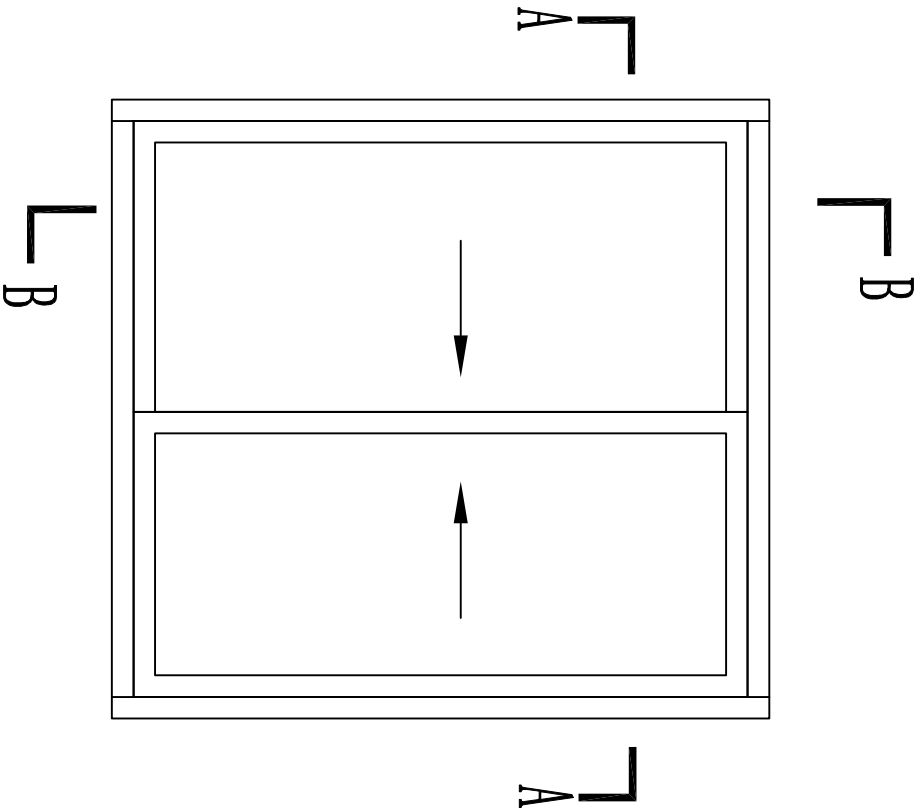
NO	DATE	DESCRIPTIONS

Owner :
 Engineering design :
 The General Contractor :

Project Name :
 B17019

Drawing Name :
 -

APPROVED BY	EXAMINED BY	CHECKED BY	DESIGNED BY	DRAWN BY	SCALE	DATE	DRAWING NO
					1:2(A3)	2020-09-09	JD-01



REVISI

NO	DATE	DESKRIPSI

Omer :

Engineering design :

The General Contractor :

Project Name :

Drawing Name : 85 sliding

APPROVED BY

EXAMINED BY

CHECKED BY

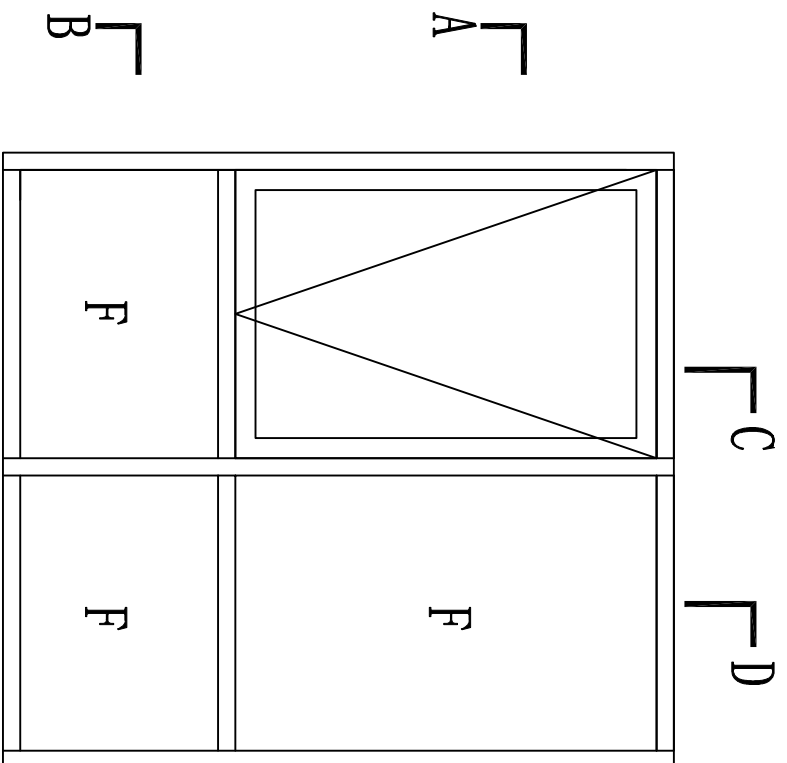
DESIGNED BY

DRAWN BY

SCALE 1:2

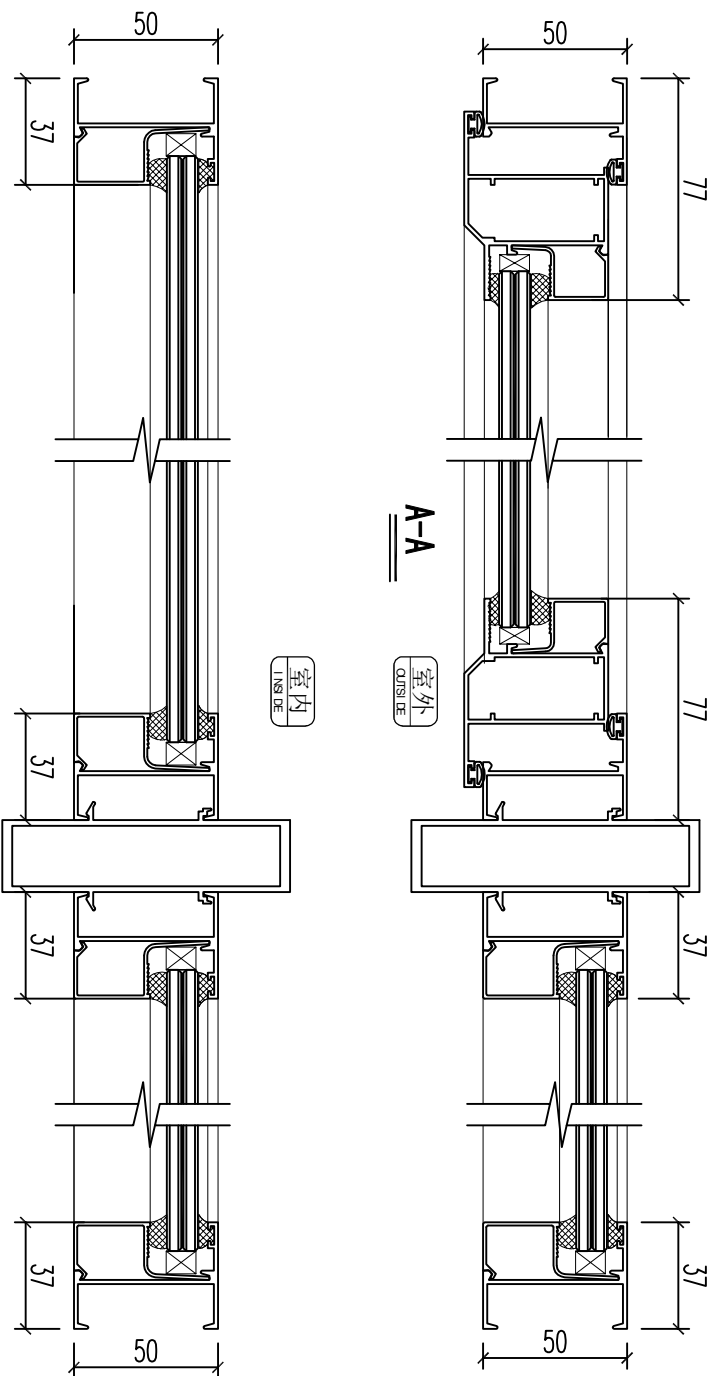
DATE 2020-09-09

DRAWING NO 1001



A A
B B

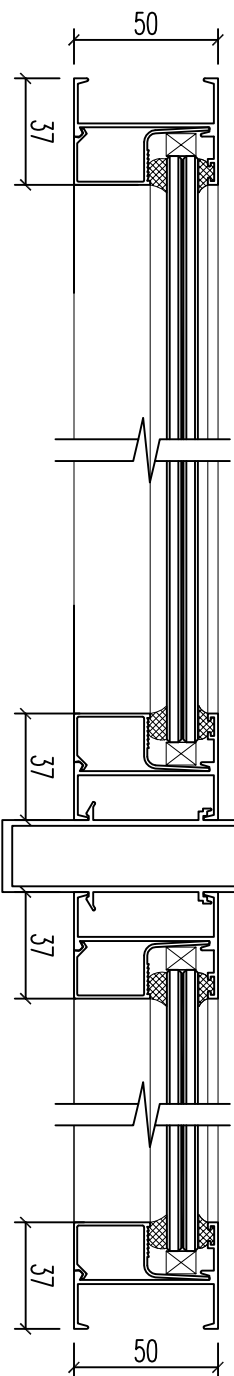
C C
D D



A-A

室内
INSIDE

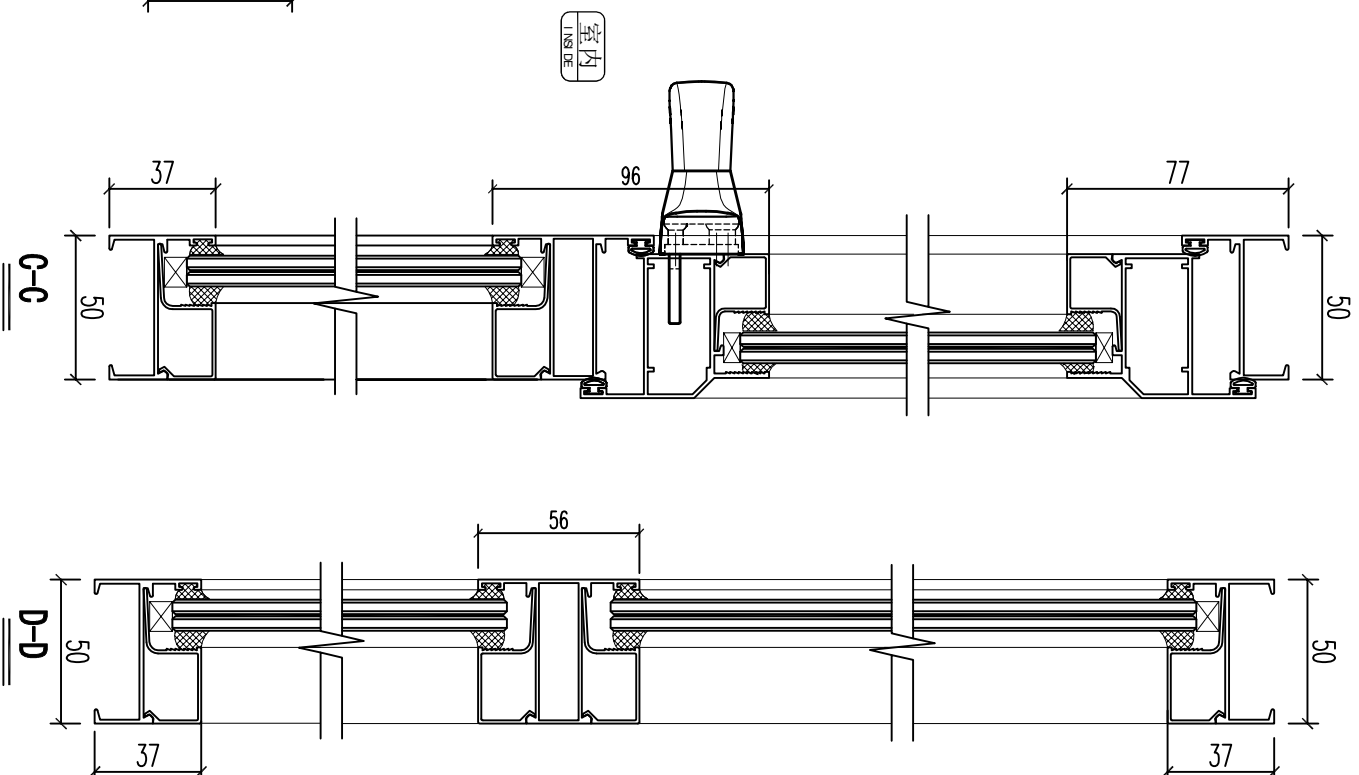
室外
OUTSIDE



B-B

室内
INSIDE

室外
OUTSIDE



C-C

室内
INSIDE

室外
OUTSIDE

D-D

REVISION	
NO.	DESCRIPTIONS

Owner: _____

Engineering design: _____

The General Contractor: _____

Project Name: _____

Drawing Name: 50 drawing

APPROVED BY: _____

EXAMINED BY: _____

CHECKED BY: _____

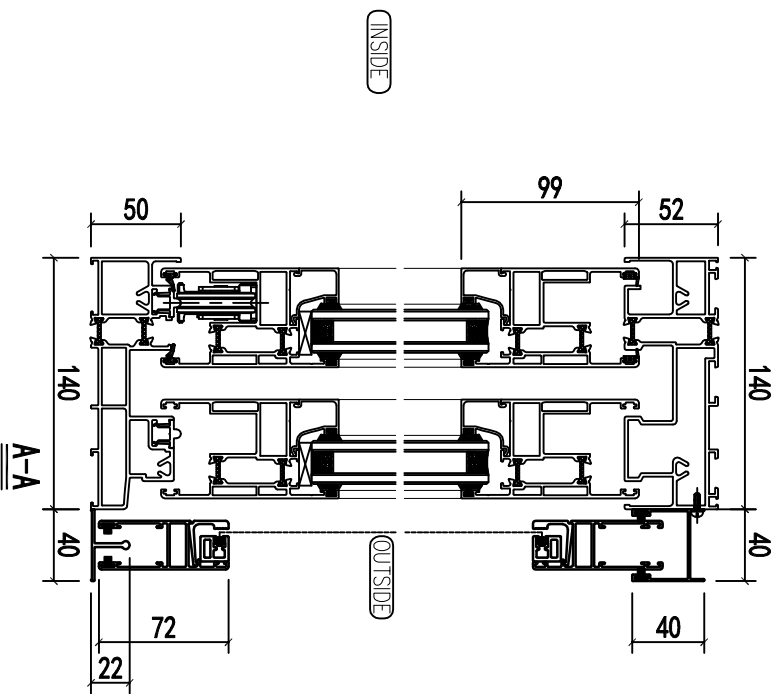
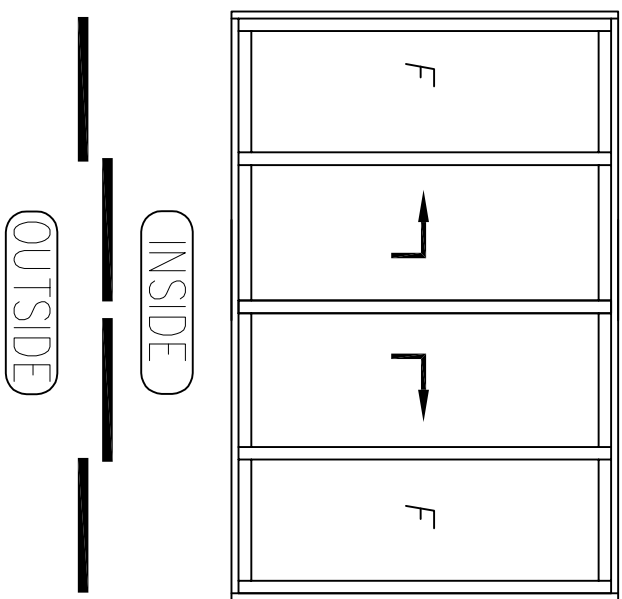
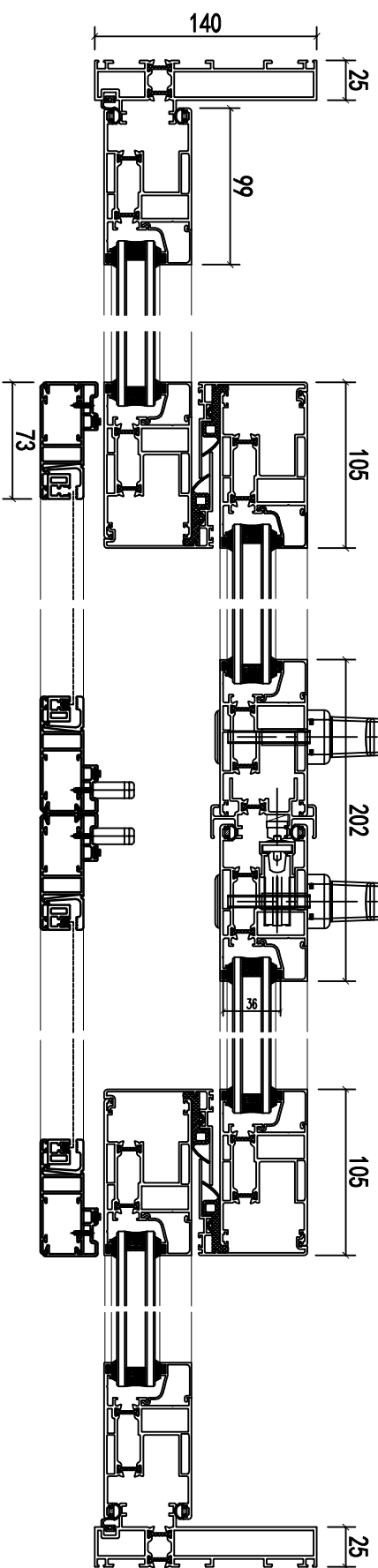
DESIGNED BY: _____

DRAWN BY: _____

SCALE: 1:2.5(A3)

DATE: 2020/9/9

DRAWING NO: JD-05



REVISIONS

NO	DATE	DESCRIPTIONS

Owner :

Engineering design :

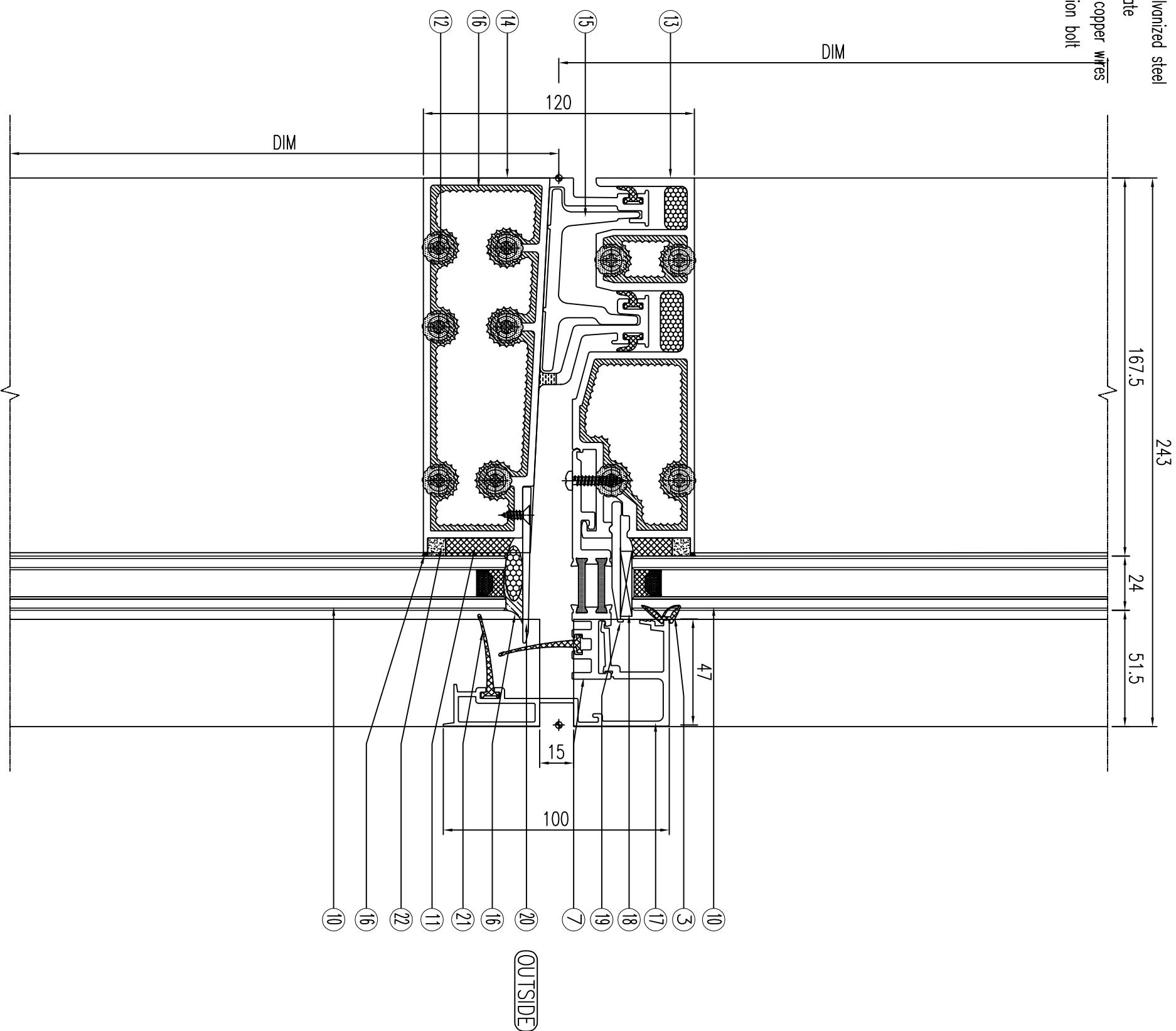
The General Contractor :

Project Name :

Drawing Name :

APPROVED BY	
EXAMINED BY	
CHECKED BY	
DESIGNED BY	
DRAWN BY	
SCALE	1:4
DATE	2020-09-09
DRAWING NO	JG-16

- ④④ Galvanized steel square tube
- ④③ The spindle decorative buckle cover
- ④② 1.5mm Threshold with stainless steel
- ④① On the door leaf
- ④① 90x30x8mm Galvanized Angle steel
- ③⑨ M12x45mm Bolt connection
- ③⑧ M16x50mm Bolt for tolerance
- ③⑦ Hook for hang the unit curtain wall panel
- ③⑥ M12x190mm Stainless steel bolts
- ③⑤ L200x125x12mm Galvanized Angle steel
- ③④ M20x270mm Bolt
- ③③ 40x4mm Steel gasket
- ③② Plate to cover the gap
- ③① Stainless chain
- ③① Lock bracket
- ②⑨ Substrate for the middle transom
- ②⑧ Frame for openable panel
- ②⑦ EPDM sealant
- ②⑥ Open panel
- ②⑤ Nail for insulation
- ②④ Handle
- ②③ Middle transom
- ②② Double faced tape
- ②① EPDM sealant to keeping water away
- ②① Cover to keeping water away
- ①⑨ Support for glass
- ①⑧ Rubber gasket for glass
- ①⑦ Cover for transom
- ①⑥ Structural sealant
- ①⑤ Connection between two panels
- ①④ Up transom for unit curtain wall panel
- ①③ Bottom transom for unit curtain wall panel
- ①② Stainless screw (installation with sealant)
- ①① Structural sealant
- ①① 6mm clear, tempered Low-e+12A+6 clear, tempered
- ①① 6mm-e+12A+6mm
- ①① Cap for the transom for decoration
- ①① EPDM sealant
- ①① Cap for decoration base
- ①① Cap at the left side for decoration
- ①① Cap at the right side for decoration
- ①① Foam gasket
- ①① EPDM sealant
- ①① Vertical frame for the left side
- ①① Vertical frame for the right side
- ⑤④ Thermal insulation board
- ⑤③ 350x200x10 mm Galvanized steel
- ⑤② 5 mm Aluminium plate
- ⑤① Lightning protection copper wires
- ⑤① M12x160mm Expansion bolt
- ⑤① EPDM sealant
- ⑤① EPDM sealant
- ⑤① Door leaf
- ⑤① The door frame
- ⑤① Hinges

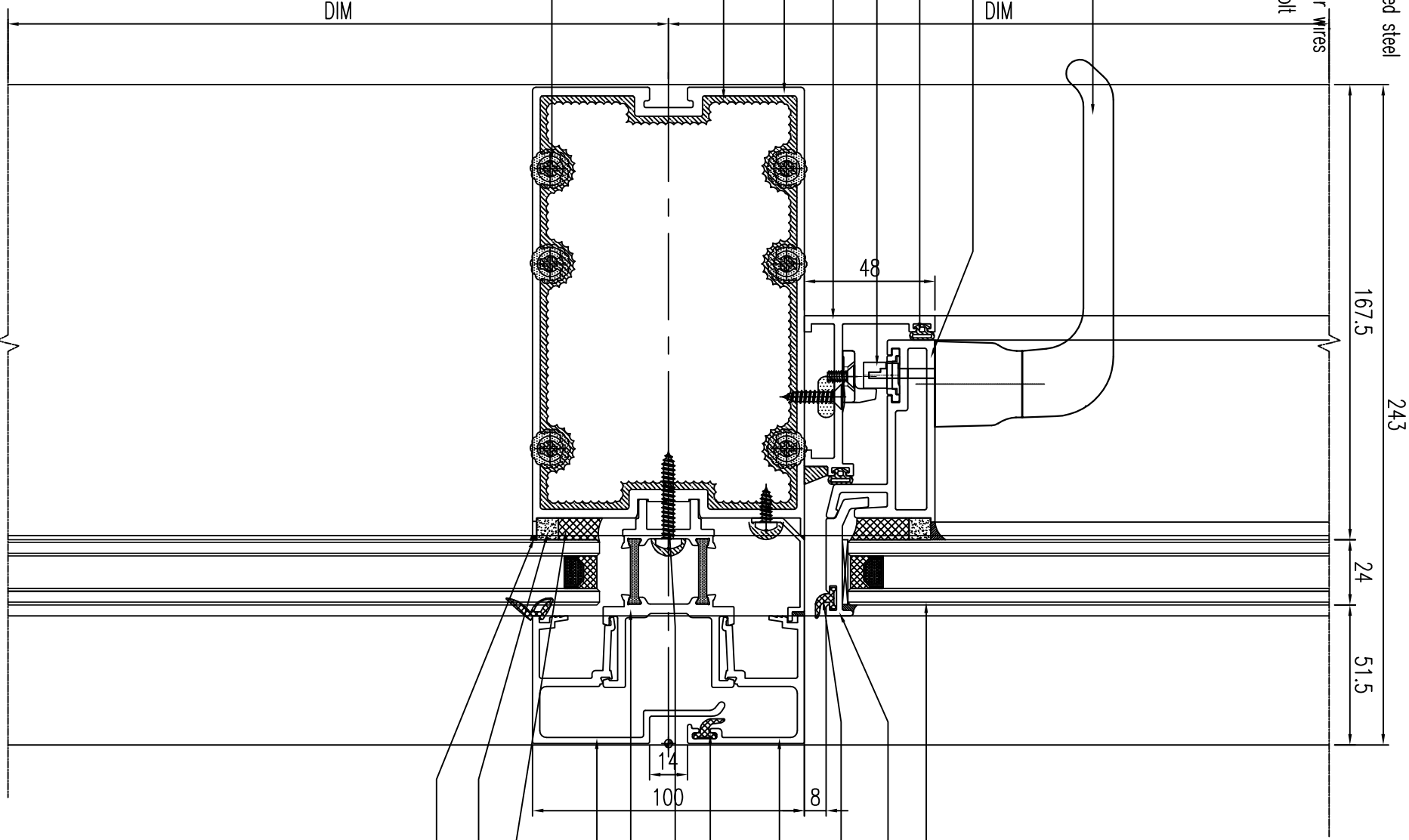


REVISED		DESCRIPTIONS
NO.	DATE	

Owner:	
Engineering design:	
The General Contractor:	
Project Name:	
Drawing Name:	
APPROVED BY	
EXAMINED BY	
CHECKED BY	
DESIGNED BY	
DRAWN BY	
SCALE	1:2.2
DATE	2016-10-17
DRAWING NO.	JD-081

- ④④ Galvanized steel square tube
- ④③ The spindle decorative buckle cover
- ④② 1.5mm Threshold with stainless steel
- ④① On the door leaf
- ④① 190x30x8mm Galvanized Angle steel
- ④① 190x30x8mm Galvanized Angle steel
- ③⑨ M12x45mm Bolt connection
- ③⑧ M16x50mm Bolt for tolerance
- ③⑦ Hook for hang the unit curtain wall panel
- ③⑥ M12x190mm Stainless steel bolts
- ③⑤ M200x125x12mm Galvanized Angle steel
- ③④ M20x270mm Bolt
- ③③ 40x4mm Steel gasket
- ③② Plate to cover the gap
- ③① Stainless chain
- ③① Lock bracket
- ②⑨ Substrate for the middle transom
- ②⑧ Frame for openable panel
- ②⑦ EPDM sealant
- ②⑥ Open panel
- ②⑤ Nail for insulation
- ②④ Handle
- ②③ Middle transom
- ②② Double faced tape
- ②① EPDM sealant to keeping water away
- ②① Cover to keeping water away
- ①⑨ Support for glass
- ①⑧ Rubber gasket for glass
- ①⑦ Cover for transom
- ①⑥ Structural sealant
- ①⑤ Connection between two panels
- ①④ Up transom for unit curtain wall panel
- ①③ Bottom transom for unit curtain wall panel
- ①② Stainless screw(installation with sealant)
- ①① Structural sealant
- ①① 6mm clear, tempered Low-e+12A+6 clear,tempered
- ①① 6mm clear, tempered Low-e+12A+6 clear,tempered
- ①① Cap for the transom for decoration
- ①① EPDM sealant
- ①① Cap for decoration base
- ①① Cap at the left side for decoration
- ①① Cap at the right side for decoration
- ①① Foam gasket
- ①① EPDM sealant
- ①① Vertical frame for the left side
- ①① Vertical frame for the right side

- ⑤④ Thermal insulation board
- ⑤③ 350x200x10 mm Galvanized steel
- ⑤② 3 mm Aluminium plate
- ⑤① Lighting protection copper wires
- ⑤① M12x160mm Expansion bolt
- ⑤① M12x160mm EPDM sealant
- ⑤① EPDM sealant
- ⑤① The door frame
- ⑤① Hinges



- ①① DY-01
- ①① DY-02
- ①① DY-03

REVISION	
NO.	DESCRIPTIONS

Owner:	
Engineering design:	
The General Contractor:	
Project Name:	
Drawing Name:	
APPROVED BY	
EXAMINED BY	
CHECKED BY	
DESIGNED BY	
DRAWN BY	
SCALE	1:2 1:2
DATE	2016-10-17 20-09-09
DRAWING NO.	JD-05 1001

